

Series VT6CC * W - B22 - B08 - 1 R 00 - D 1 - 00 *

M = Mobile
P = Mobile with double shaft seal

Use for severe duty shaft only

Cam ring for "P1" & "P2"

Volumetric displacement cm³/rev (in³/rev)

*B03/R03 = 10.8 (0.66)	B15/R15 = 50.5 (3.08)
B05/R05 = 17.2 (1.05)	B17/R17 = 58.3 (3.56)
B06/R06 = 21.3 (1.30)	B20/R20 = 63.8 (3.89)
B08/R08 = 26.4 (1.61)	B22/R22 = 70.3 (4.29)
B10/R10 = 34.1 (2.08)	B25/R25 = 79.3 (4.84)
B12/R12 = 37.1 (2.26)	B28/R28 = 88.8 (5.42)
B14/R14 = 46.0 (2.81)	B31/R31 = 100.0 (6.10)

*'B' - for Mobile 'R' - for Mobile - spring assisted

Type of shaft

M version

- 1 - keyed (no SAE)
- 3 - splined (SAE BB)
- 5 - splined (SAE B)

MW version

- 2 - keyed (SAE BB)
- R - keyed special
- X - keyed special
- W - keyed special
- V - keyed special
- T - splined (SAE J718c)
- S - splined (DIN5462)
- Q - splined (SAE C)

P version

- 3 - splined (no SAE)
- 4 - splined (SAE BB)
- 6 - splined (no SAE)

Modifications

Mounting W/connection variables

code	P1=1"-S=3"		P1=1"-S=2 1/2" 2)	
	Unc	Metric	1"	3/4" 1)
P2	00	01	10	11
	OM	WO	1M	W1

- 1) for 46 ml/rev max.
 - 2) for 126 ml/rev max.
- The large cartridge must be always mounted in the front.

Seal class

- 1 - S1 (for mineral oil)
- 4 - S4 (for fire resistant fluids)
- 5 - S5 (for mineral oil and fire resistant fluids)

Design letter

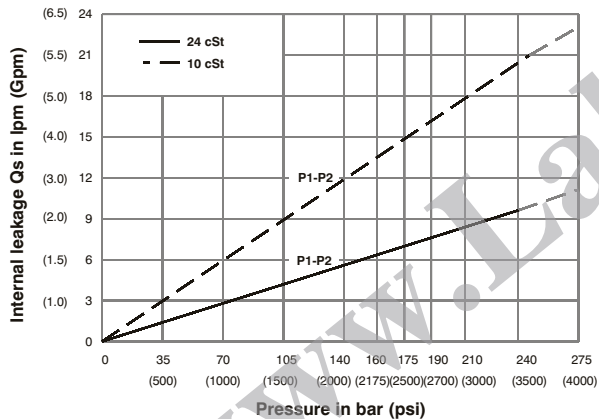
Porting combination (see page BM-1-5)

00 - standard

Direction of rotation (view on shaft end)

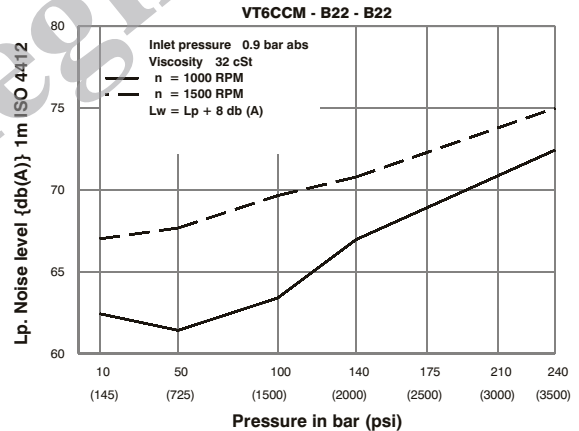
- R - clockwise
- L - counter-clockwise

INTERNAL LEAKAGE (TYPICAL)



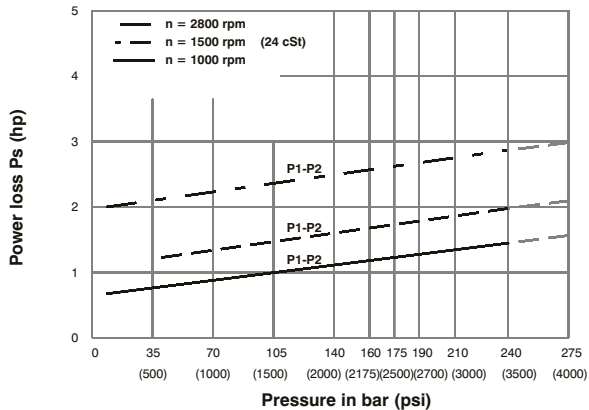
Do not operate pump more than 5 seconds at any speed or viscosity if internal leakage is more than 50% of theoretical flow. Total leakage is the sum of each section loss at its operating conditions.

NOISE LEVEL (TYPICAL)



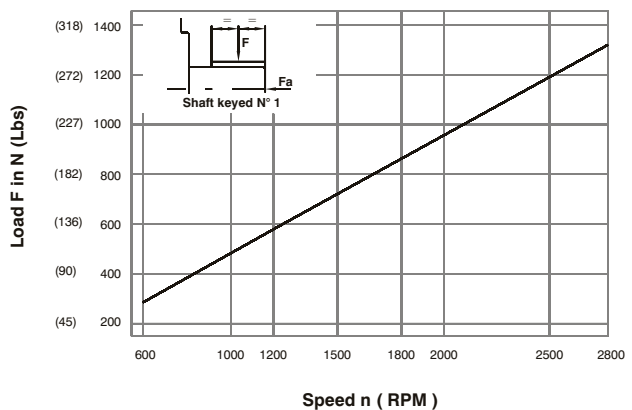
Double pump noise level is given with each section discharging at the pressure noted on the curve.

HYDROMECHANICAL POWER LOSS (TYPICAL)



Total hydromechanical power loss is the sum of each section at its operating conditions.

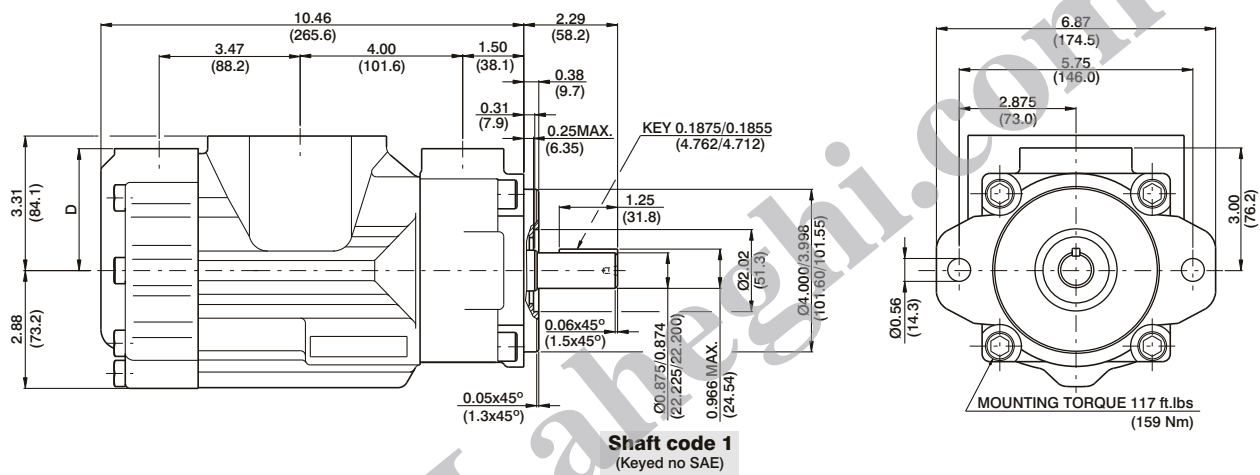
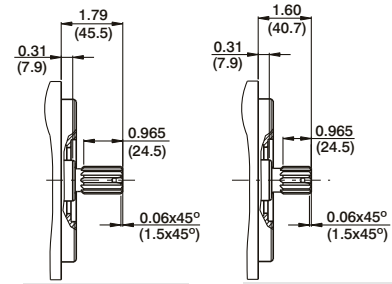
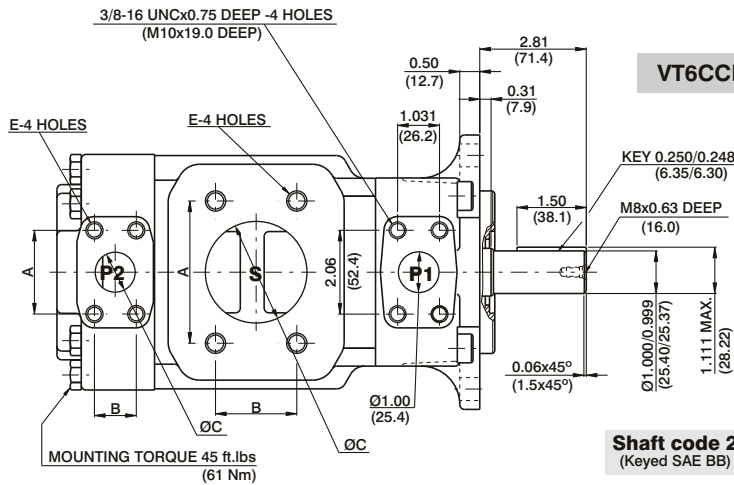
PERMISSIBLE RADIAL LOAD



Maximum axial load permissible Fa = 800 N (180 Lbs)



DP



PORT	A	B	C	D	E
S	4.19 (106.4)	2.44 (61.9)	3.00 (76.2)		5/8-11UNCx1.12 DEEP (M16 x 28.4 DEEP)
S	3.50 (88.9)	2.00 (50.8)	2.50 (63.5)		1/2-13UNCx0.94 DEEP (M12 x 24.0 DEEP)
P1	1.874 (47.6)	0.874 (22.2)	0.75 (19.0)	3.00 (76.2)	3/8-16UNCx0.75 DEEP (M10x19.0 DEEP)
P2	2.06 (52.4)	1.03 (26.2)	1.00 (25.4)	2.94 (74.7)	

Shaft torque limits in ³ /rev x psi (ml/rev x bar)		
Shaft	Vp x p max. (P1+P2)	
1	12666	(14300)
2	18972	(21420)
3	28937	(32670)
5	18246	(20600)

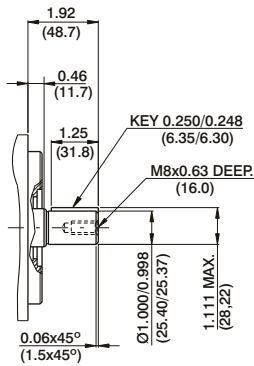
OPERATING CHARACTERISTICS - TYPICAL (24 cST) (Input power p (KW) for one cartridge only)

Pressure port	Series	Volumetric Displacement Vp		Flow q & n = 1500 rpm						Input power p & n = 1500 rpm					
				p = 0 bar (0 psi)		p = 140 bar (2000 psi)		p = 240 bar (3500 psi)		p = 7 bar (100 psi)		p = 140 bar (2000 psi)		p = 240 bar (3500 psi)	
		in ³ /rev	cm ³ /rev	gpm	lpm	gpm	lpm	gpm	lpm	hp	kw	hp	kw	hp	kw
P1 & P2	B03	0.66	10.8	4.29	16.2	2.83	10.7	--	--	1.74	1.3	7.11	5.3	--	--
	B05	1.05	17.2	6.83	25.8	5.37	20.3	4.17	15.8	1.88	1.4	10.06	7.5	16.36	12.2
	B06	1.30	21.3	8.44	31.9	7.01	26.5	5.82	22.0	2.01	1.5	11.94	8.9	19.71	14.7
	B08	1.61	26.4	10.48	39.6	9.02	34.1	7.83	29.6	2.15	1.6	14.35	10.7	22.93	17.7
	B10	2.08	34.1	13.52	51.1	12.08	45.7	10.89	41.2	2.28	1.7	18.64	13.4	29.90	22.3
	B12	2.26	37.1	14.71	55.6	13.28	50.2	12.08	45.7	2.28	1.7	19.31	14.4	32.32	24.1
	B14	2.81	46.0	18.25	69.0	16.79	63.5	15.60	59.0	2.55	1.9	23.60	17.6	39.56	29.5
	B15	3.08	50.5	20.00	75.6	18.62	70.4	17.46	66.0	2.68	2.0	25.61	19.1	42.91	32.0
	B17	3.56	58.3	23.12	87.4	21.69	82.0	20.50	77.5	2.82	2.1	29.37	21.9	49.48	36.9
	B20	3.89	63.8	25.32	95.7	23.86	90.2	22.67	85.7	2.95	2.2	31.92	23.8	53.91	40.2
	B22	4.29	70.3	27.88	105.4	26.45	100.0	25.26	95.5	3.08	2.3	35.00	26.1	59.14	44.1
	B25 ¹⁾	4.84	79.3	31.46	118.9	30.02	113.5	28.83	109.0	3.35	2.5	39.16	29.2	66.38	49.5
B28 ^{1,2)}	5.42	88.8	35.24	133.2	33.78	127.7	32.93	124.5	3.75	2.8	43.85	32.7	65.04	48.5	
B31 ^{1,2)}	6.10	100.0	39.68	150.0	38.22	144.5	37.38	141.3	3.75	2.8	48.95	36.5	72.95	54.4	

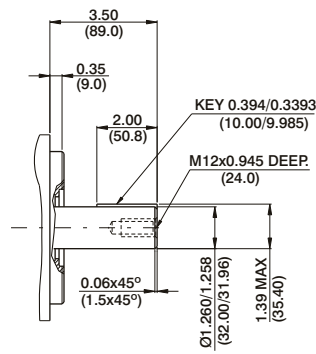
1) B25-B28-B31 = 2500 R.P.M. max.

2) B28-B31 = 210 bar (3000 psi) max. int.

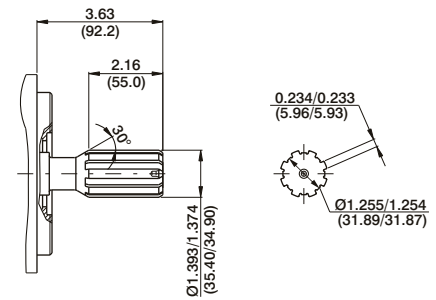
-- Not to use because internal leakage greater than 50% theoretical flow.



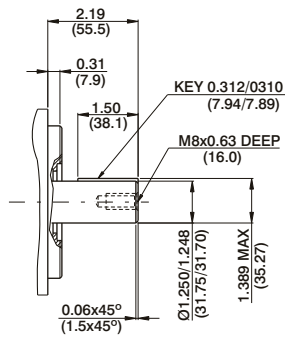
Shaft code R



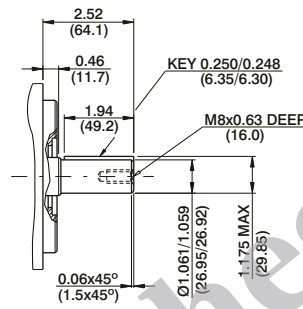
Shaft code V



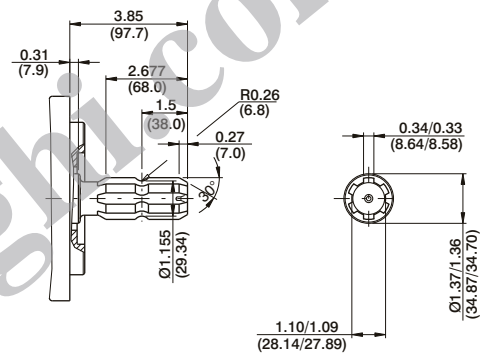
Shaft code S
DIN 5462
B8x32x36



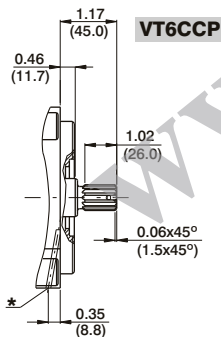
Shaft code W



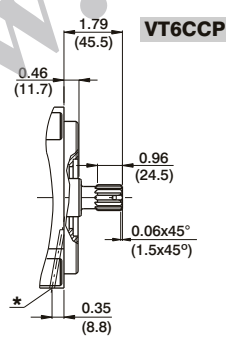
Shaft code X



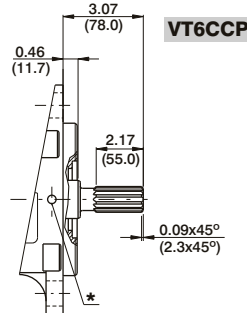
Shaft code T
SAE J718C
540 rpm power take-off
For Farm Tractor application



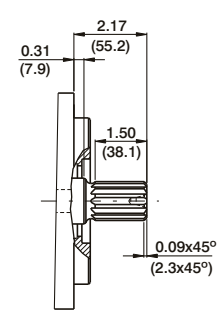
Shaft code 3
no SAE splined shaft
Class 1-J498b
16/32 dp. 13 teeth
30° pressure angle
Flat root side fit



Shaft code 4
SAE BB splined shaft
Class 1-J498b
16/32 dp. 15 teeth
30° pressure angle
Flat root side fit



Shaft code 6
non SAE splined shaft
Class 1-J498b
12/24 dp. 14 teeth
30° pressure angle
Flat root side fit



Shaft code Q
SAE C splined shaft
Class 1-J498b
12/24 Dp. 14 Teeth
30° Pressure angle
Flat root side fit

*Drain hole between double Shaft seals

Shaft torque limits in ³ /rev x psi (ml/rev x bar)		
Shaft	Vp x p max. (P1+P2)	
VT6CCMW	R	16032 (18100)
	V	28937 (32670)
	W	28937 (32670)
	X	22500 (25400)

Shaft torque limits in ³ /rev x psi (ml/rev x bar)		
Shaft	Vp x p max. (P1+P2)	
VT6CCP	3	18246 (20600)
	4	28937 (32670)
	6	28937 (32670)